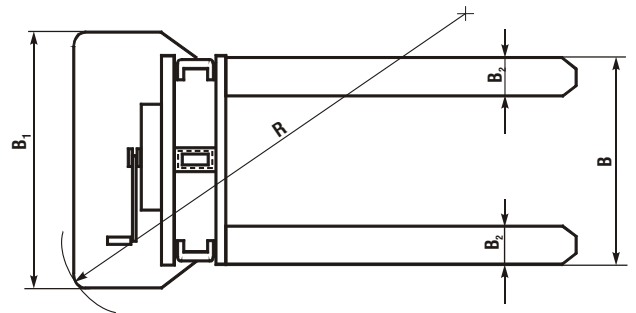
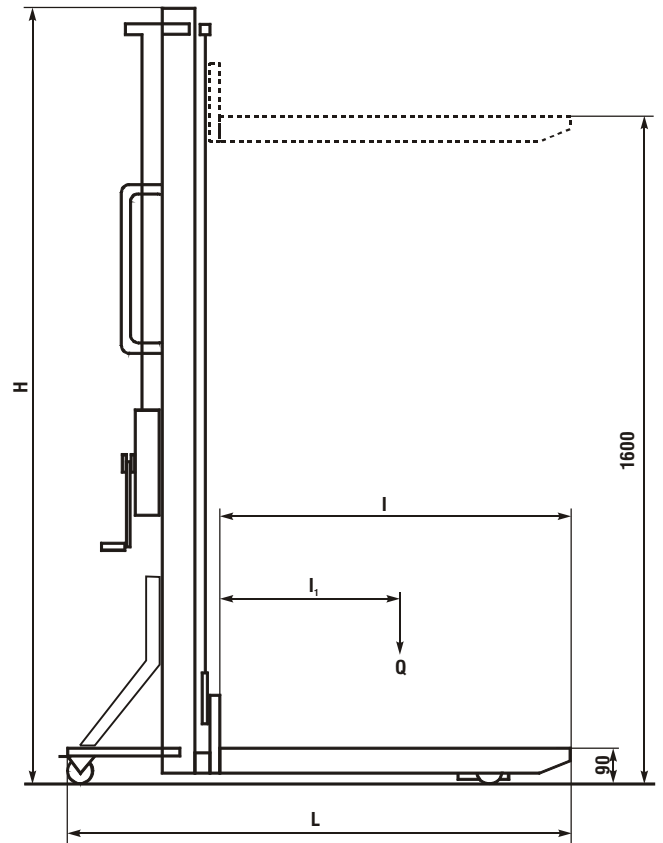


# Hand winch lift truck

## VPR 0,5-1600, VPR 1-1600



### Designation:

Hand lift truck works in store-rooms and area with smooth surface. It is robust, low-maintenance and easy to handle. The ruling wheels are provided with double-stop locking device. Lifting of the load is made by the means of winch.

Type	B mm	B <sub>1</sub> mm	B <sub>2</sub> mm	H mm	L mm	I mm	I <sub>1</sub> mm	R mm	Load capacity kg
VPR 0,5-1600	530	650	100	1970	1290	900	500	1370	500
VPR 1-1600	560	760	160	1980	1635	1150	600	1450	1000