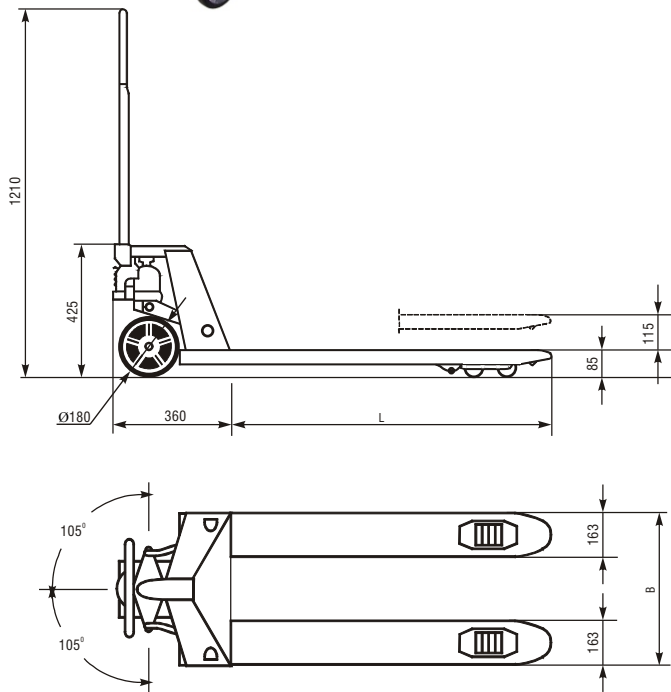


# Hand - pallet - truck TK ... - ...



Type	T <sub>max</sub> kg	B mm	L mm	G kg
TK 3-1	3000	540	1150	72
TK 2,3-2	2300	540	960	62
TK 2,3-3	2300	540	770	56
TK 3,0 B=680	3000	680	1150	76
TK 1,0 L=1800	1000	540	1800	80
TK 1,0 L=2000	1000	540	2000	80
TK 2,0 L=1400	2000	540	1400	84
TK 2,0 L=1500	2000	540	1500	84

## Designation:

The hand-pallet-truck operates in dry store rooms and area with smooth surface.

TK ..... - .... G T G

Hand-pallet truck

1.0 1000 kg  
2.0 2000 kg  
2.3 2300 kg  
3 3000 kg

load capacity

G - aluminium travelling wheel with solid rubber tyres  
P - polyamide travelling wheel  
V - travelling wheel with polyurethane tyres

540 mm  
680 mm

forks' width:

without mark  
B680

1150 mm  
960 mm  
770 mm

forks' length:

1  
2  
3

T - tandem wheels

G - aluminium travelling wheel with solid rubber tyres  
P - polyamide travelling wheel  
V - travelling wheel with polyurethane tyres