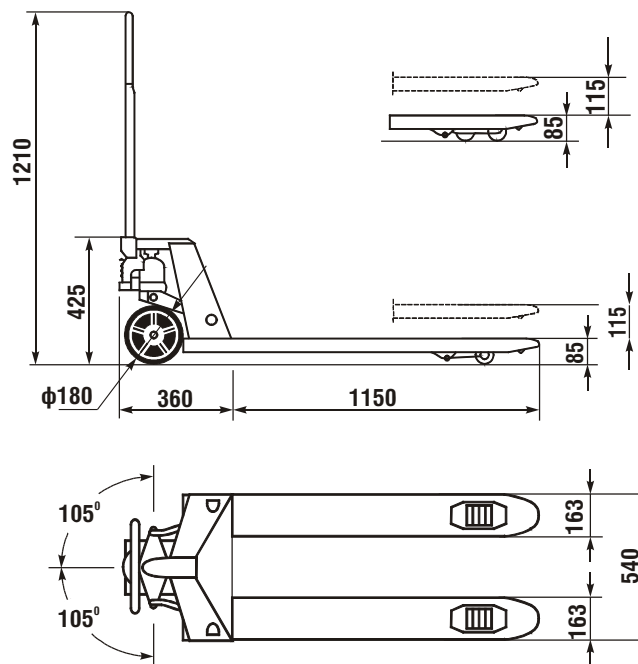


Hand - pallet - truck

TK 2,3 N



Designation:

The hand-pallet- truck is manufactured from cold rolled stainless steel and works in store rooms and area with smooth surface. Load capacity 2300 kg.

The handle has three positions:

- lifting
- lowering and
- transport.

The steering wheels and the rollers are made from polyurethane tyres.