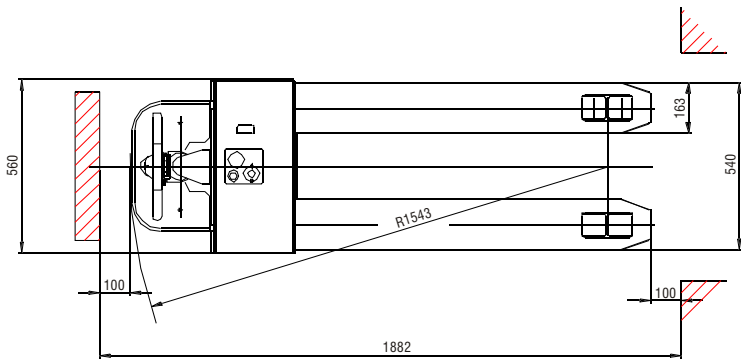
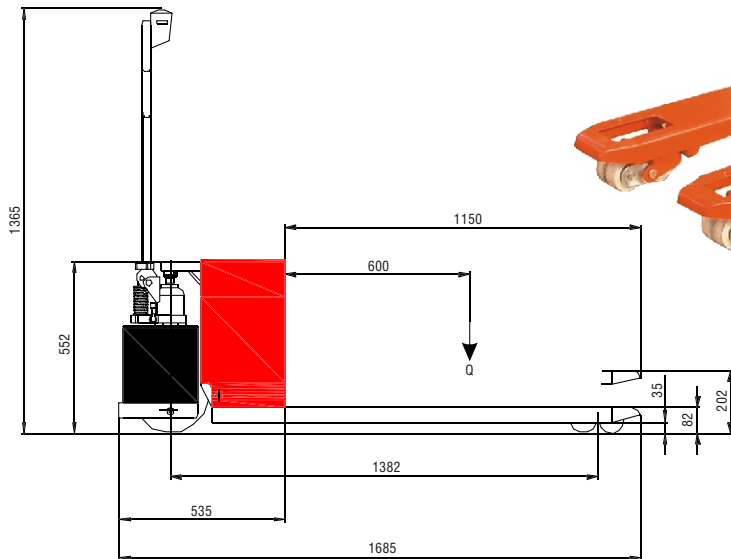


# Electric pallet-truck ERN 12



Load capacity	1200	kg
Lifting height	202	mm
Diameter of Motor-wheel	Φ 245	mm
Diameter of the rollers	Φ 82 x 70	mm
Moving speed with/without load	3,9	km/h
Lowering speed with/without load	0,16/0,15	m/s
Climbing ability	5/10	%
Parking brake	electric	
Working brake	electric	
Power of the electric motor for moving S2-60 min	0,5	kW
Accumulator battery	2x12V/62	Ah
Charging device	24V/30A	
Type of control	impulse	
Degree of switching	without degree	
Material of the whells	polyurethane/polyamide	