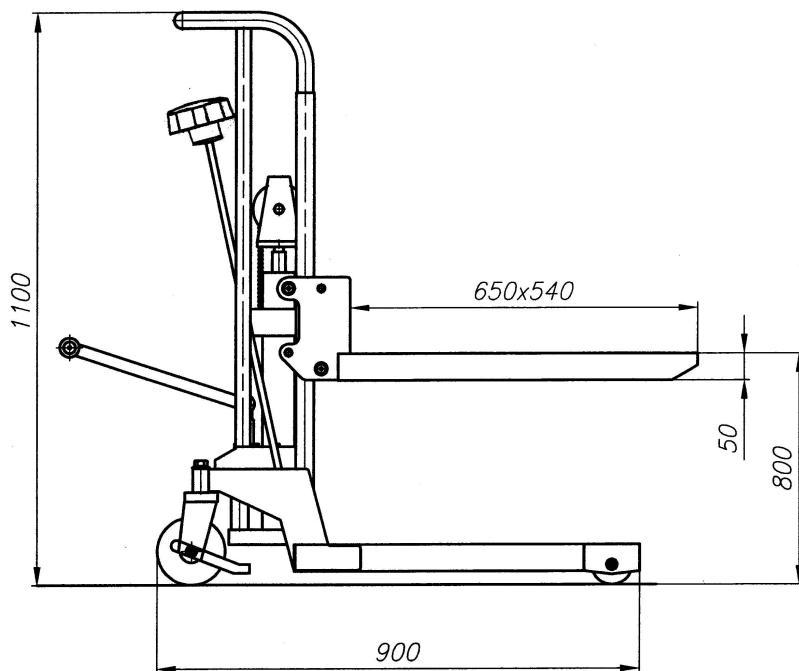


LIFTING PLATFORM VP 0,4 t



Designation:

The lightweight platform, type VP 0,4 t is designed to operate in places with a flat surface. It is used for load lifting and as a bench.



Lifting capacity	400 kg
Height	800 mm
Table size	650 x 540 mm
Fork width	465 mm
Fork length	563 mm
Travelling wheel size	Ø 127 x 40 mm
Travelling wheels material	polyamide
Travelling roller size	Ø 75 x 40 mm
Travelling roller material	polyamide