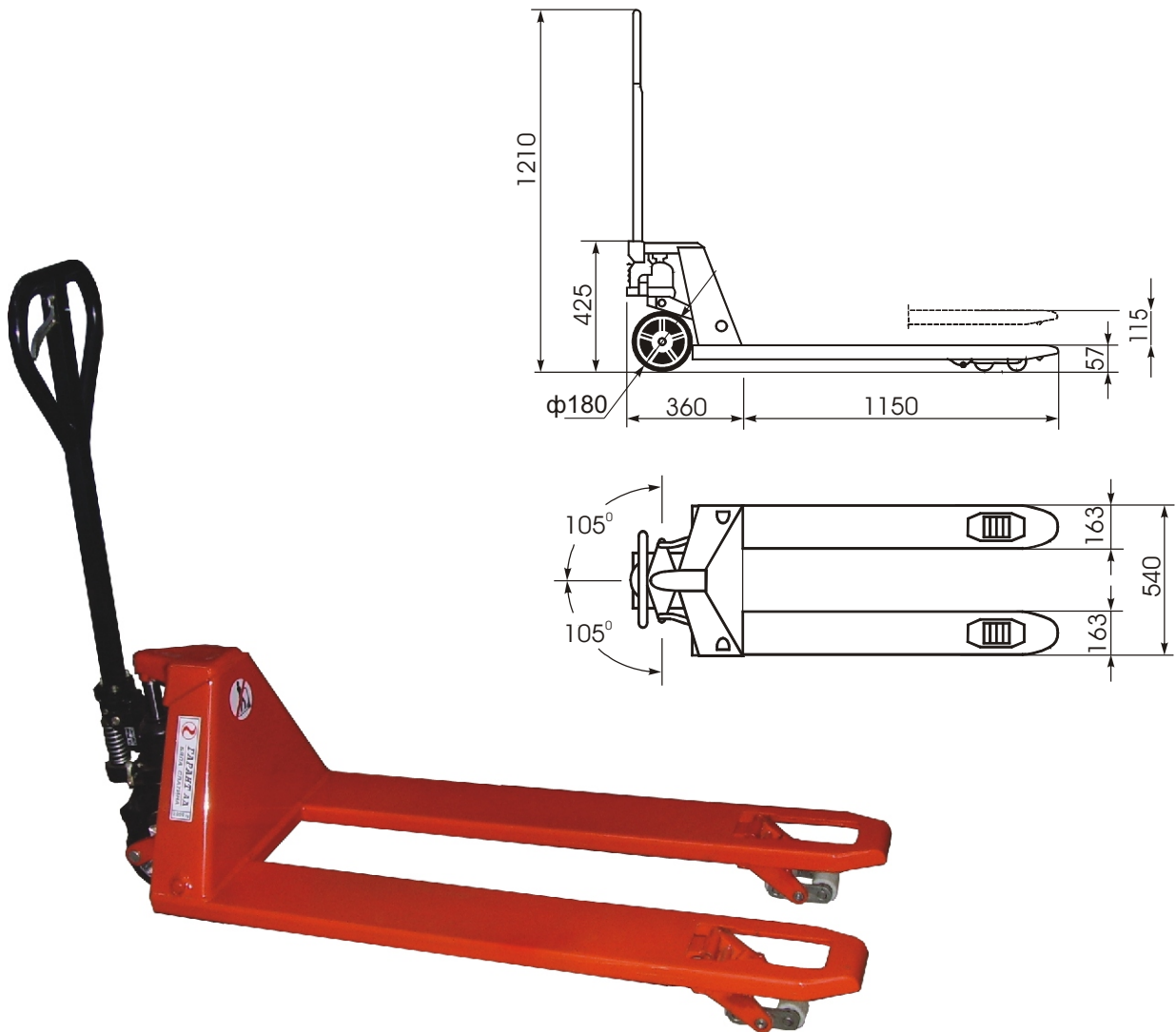


HAND-PALLET TRUCK - LOW

TK 2,0 - low



Designation:

Serves for transportation of low pallets in dry warehouses and areas with smooth surface.

Technical data:

Capacity	2000	kg
Forks width	540	mm
Forks length	1150	mm
Travel wheel dimensions	$\phi 180 \times 50$	mm
Material of travel wheels	polyamide / aluminum wheel with solid rubber tires	
Size of tandem wheels	$\phi 50 \times 70$	
Material of tandem wheels	polyamide	