

Hand - pallet - truck TK 2.0 B=1450

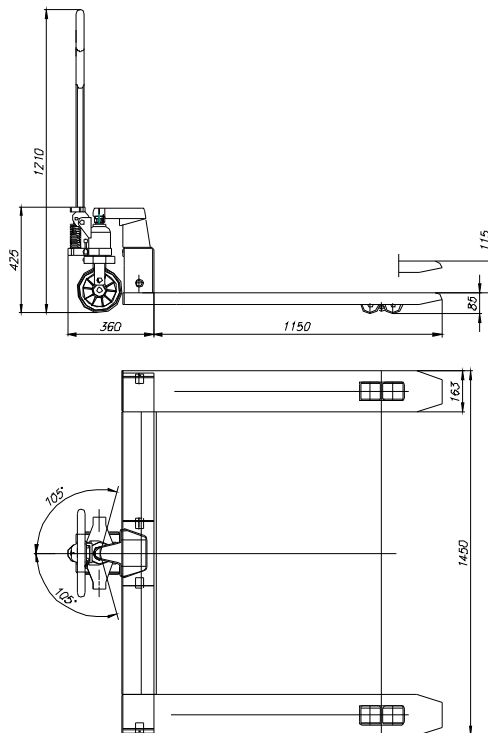


Designation:

It is used to transport loads with larger dimensions in warehouses and places with a smooth surface.

The load should be evenly distributed along the length of the forks.

It is prohibited to lift the load with one fork arm only.



Technical data:

| | | |
|---------------------------|------------|----|
| Capacity | 2000 | kg |
| Forks width | 1450 | mm |
| Forks length | 1150 | mm |
| Travel wheel dimensions | ø 180 x 50 | mm |
| Material of travel wheels | polyamide | |
| Size of tandem wheels | ø 82 x 70 | |
| Material of tandem wheels | polyamide | |