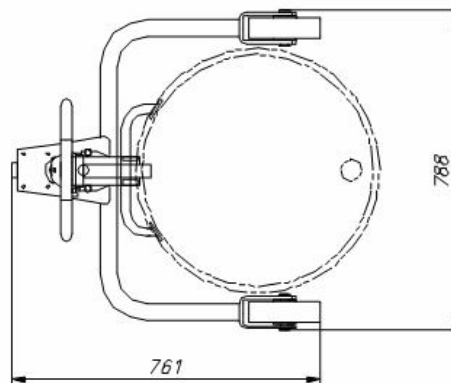
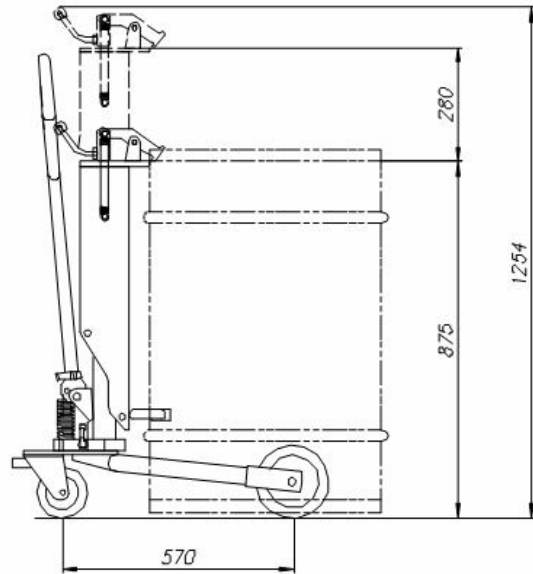


HAND WINCH LIFT TRUCK FOR BARRELS MV-250



Designation:

Serves for easy lifting and moving of metal barrels.

Technical data:

Capacity	250	kg
Lifting height	280	mm
Maximum diameter of barrel	572	mm
Maximum height of barrel	915	mm
Weight	40	kg