

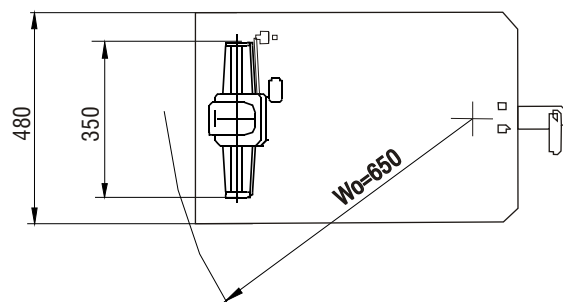
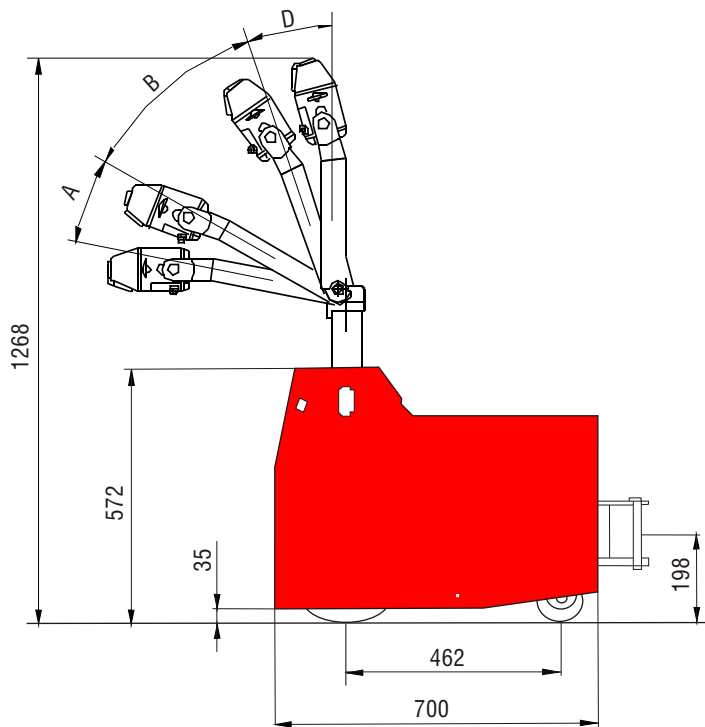
Pedestrian controlled electric tractor ERVL 10

Manoeuvrable and compact
Ergonomic handle
Integrated charger



Designation:

The electric tractor type ERVL 10 is an universal, economical, mini tractor for trailers up to 1000 kg. It is designed to move goods over short distances on flat and hard surfaces in warehouses and other handling places where ambient temperatures are from -20° to $+40^{\circ}$ C. Recharging the EMC is also effortless by means of its integrated charger that can be connected to any 230V mains socket. The battery discharge indicator continuously displays the battery condition.



Load capacity	1000	kg
Height	1268	mm
Turning radius	660	mm
Diameter of motor-wheel	ø 245 x 76	mm
Diameter of the supporting wheels	ø 100 x 25	mm
Moving speed with/without load	3,5/4	km/h
Climbing ability with/without load	5/8	%
Parking brake	electric	
Working brake	electric	
Power of the electric motor for moving S2-60 min	0,5	κW
Accumulator battery	2 x12 V/62	Ah
Charging device 24V/30A	impulse	
Type of control	impulse	
Degree of switching	without degree	
Material of the wheels	polyurethane/polyurethane	