

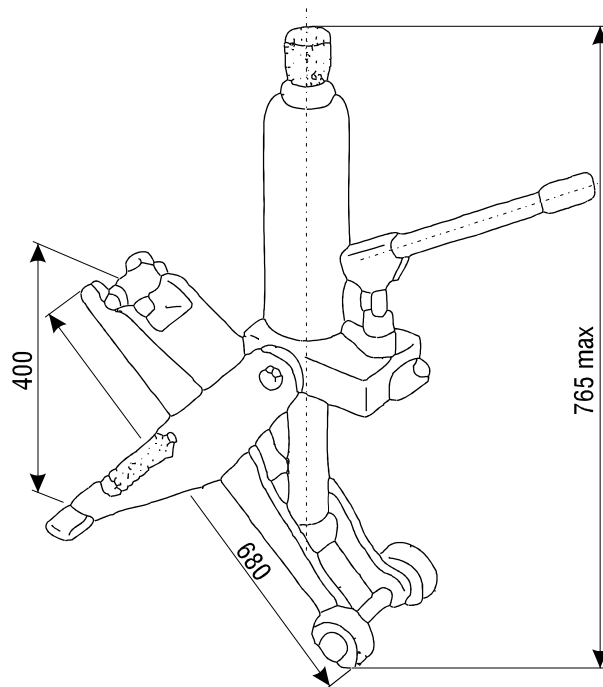
Hydraulic Lever Jack KLH-8



Designation

It is used for lifting of industrial trucks and heavy machines for reparation both in the workshop and on smooth surface.

Hydraulic jacks are provided with a rotating lifting bar, which permits to most efficaciously to exploit their characteristics. Their compact construction and reduced weight make their transportation easier.



Load capacity - **8 t**

Maximum lifting weight - **400 mm**